



360° CEILING MOUNT
PASSIVE INFRARED
DETECTOR

WONDEREX

SX-360Z

UL LISTED



"ZOOM" INTO ANY INSTALLATION.

Optex's Unique Zoom Function and Highly Dense, Triple Element Detection Pattern, Provide Unsurpassed Detection Performance at Any Ceiling Height Up to 16 Feet!

OPTEX incorporates its latest technology into a new generation of 360° detectors. The unique "Zoom" mechanism makes the SX-360Z the most flexible detector available. The 276 dense zones will provide a 60ft.(18m) circular detection area at any installation height from 8 to 16ft.(2.4 to 5m) with absolutely no dead spots. The SX-360Z's compact design makes it the perfect detector for all types of applications—residential and commercial, large and small.

■The Unique Zoom Function(Patent Pending)



With the zoom function you can adjust the pattern angle at any installation height.

SX-360Z

FEATURES

Highly Dense

Provides highly dense coverage with as many as 276 detection zones, eliminating dead spots over its broad 60ft.(18m) diameter detection area.

Zoom Function/Pattern Adjustment

The pattern angle can be variably adjusted. The special lens can be adjusted up and down by rotating the housing cover of the "Zoom" mechanism. The angle adjustment can provide a 360°60ft.(18m) diameter detection area at any ceiling height up to 16ft.(5m) with high detection performance.

Patented Multi-focus Lens

Creates zones with high vertical density for maximum detection sensitivity.

False Alarm Protection

•RFI Protection

No alarm against field strength levels exceeding 30v/m for the range of 100MHz. to 1.2GHz.

•Temperature Protection

No alarm in high, low and changing temperatures from -4° to +122°F(-20° to +50°C)

•Noise Reduction Circuit

•Selectable Pulse Count: 1,2,4.

•Selectable Sensitivity: High, Medium,Low.

Other Features

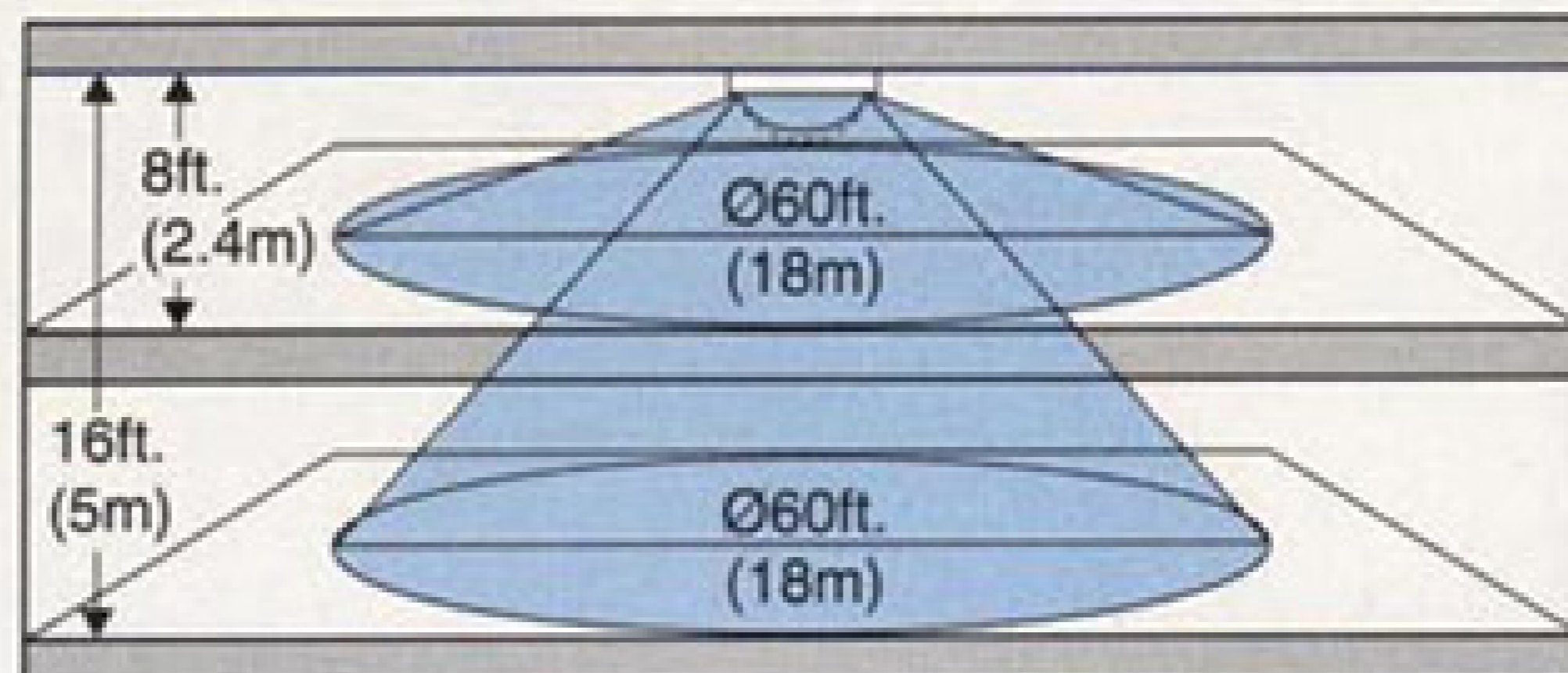
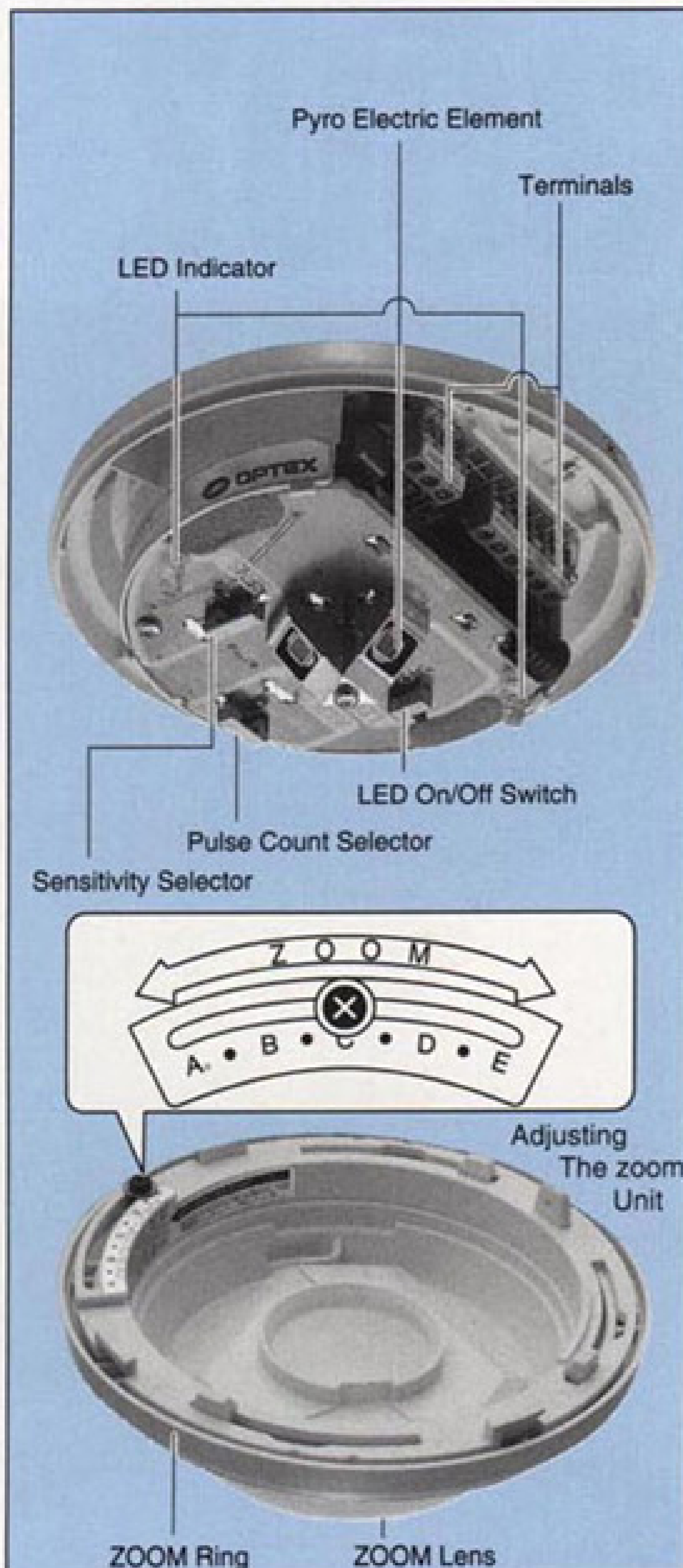
•LED On/Off Switch.

•Warm-up Indicator

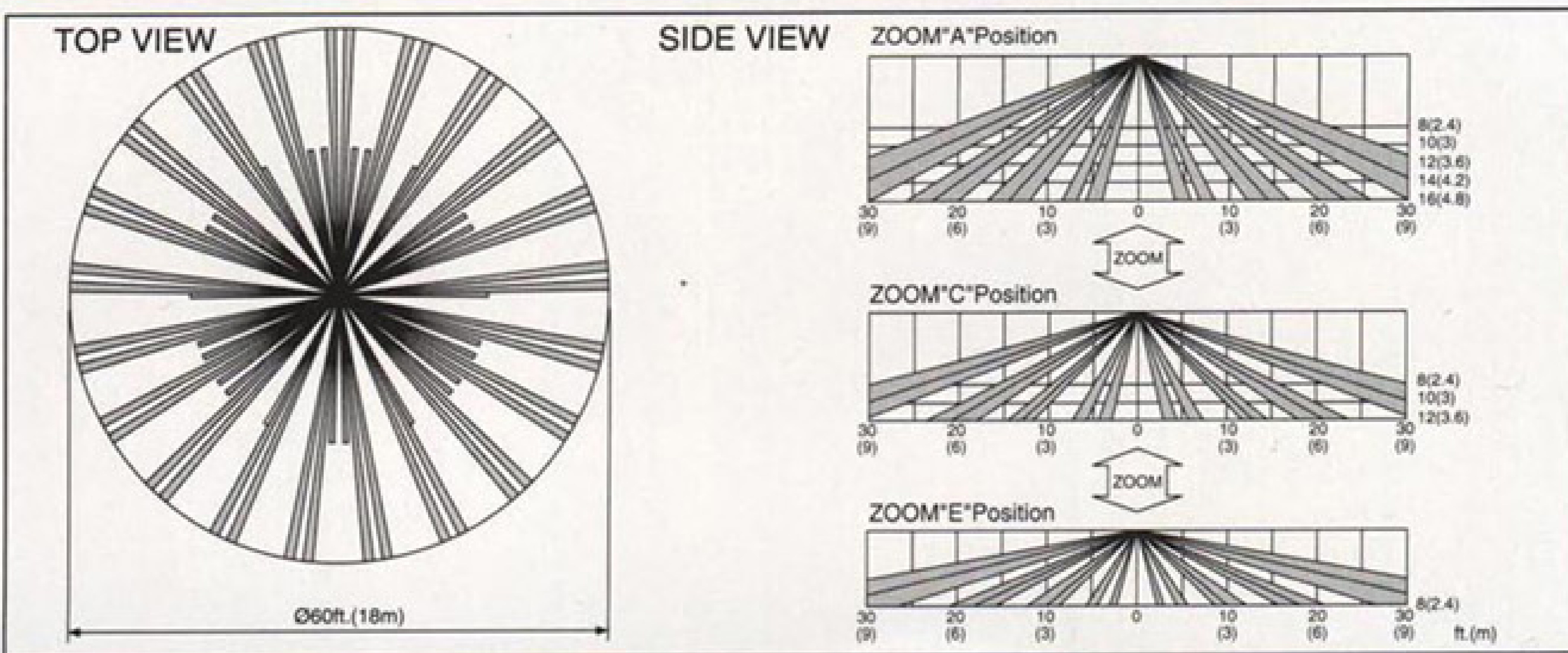
Versions

•SX-360Z: Standard•SX-360ZS: Form C Relay

•SX-360ZV: Initial Alarm Memory and Patented Double Conductive Shielding of Pyro Element.



DETECTION PATTERNS



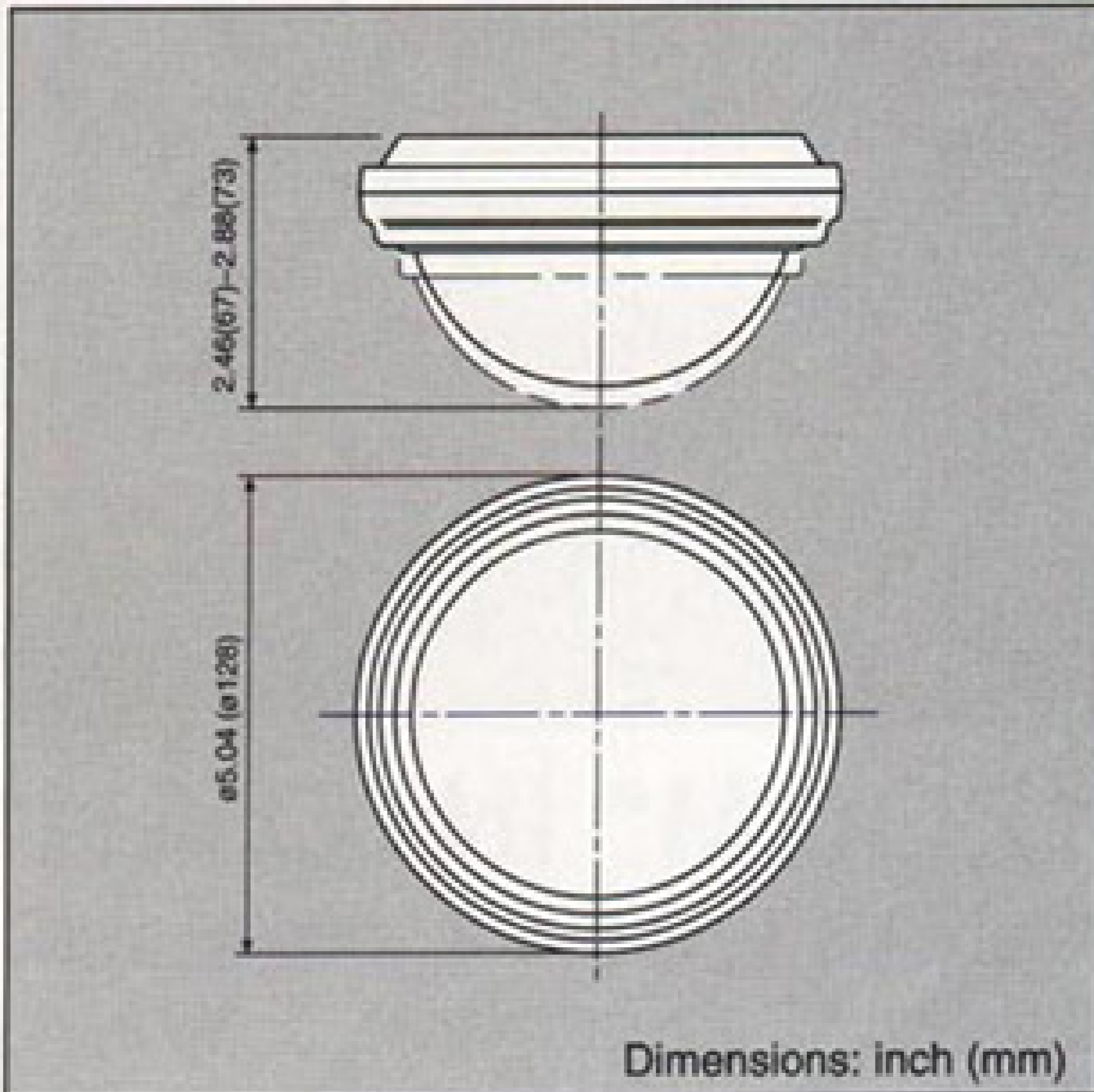
SPECIFICATIONS

Model	SX-360Z
Detection method	Passive Infrared
Coverage	ø60ft.(ø18m), 360°ZOOM
Detection zones	276 zones
Mounting	Ceiling Height: 8~16ft.(2.4~5m)
Sensitivity	3°F (1.6°C) at 2ft./sec. (0.6m/sec.)
Detectable Speed	1~6ft./sec. (0.3~1.8m/sec.)
LED indicator	LED blinks during warm-up period Alarm condition
Alarm period	2.0±0.5sec.
Alarm output	N.C. 28VDC 0.2A max.
Tamper switch	N.C., Opens when cover removed.
Pulse count	20±5sec. 1,2 or 4
Warm-up period	Approx. 20sec. (LED blinks)
Power input	6~18VDC
Current draw	13mA/(normal), 18mA/(max.)
Weight	7.90oz. (224g)
Operating temperature	-4°F~+122°F(-20°C~+50°C)
Environment humidity	95% max.
RF interference	No Alarm 30 V/m

S Version (Form C)	
Model	SX-360ZS
Alarm output	Form C 28V DC 0.2A max
Current draw	30mA/(normal), 35mA/(max.)
Weight	7.94oz. (225g)

V Version (Alarm Memory)		
Model	SX-360ZV	SX-360ZV(P)
Alarm memory	Armed: 0~1V DC	Armed: +5~20V DC
Initial alarm memory	Max. 40 detectors	
Current draw	13mA/(normal), 25mA/(max.)	
Weight	8.00oz. (227g)	
RF interference	No Alarm 30V/m	

DIMENSIONS



※Specifications and design are subject to change without prior notice.

NOTE: This unit is designed to detect movement and activate an alarm control panel. Being only a part of a complete system, we cannot assume responsibility for theft or damages, should they occur.



OPTEX CO., LTD. (ISO 9001 Certified by LRQA)
4-7-5 Nionohama Otsu, 520-0801 Japan
TEL(077)524-6047 FAX(077)522-9022

OPTEX AMERICA, INC.
1845 W. 205th St. Torrance, Ca. 90501-1510 U.S.A.
TEL(310)533-1500 FAX(310)533-5910

OPTEX (EUROPE) LTD. (ISO 9002 Certified by NQA)
Clivemont Road, Cordwallis Park, Maidenhead, Berkshire, SL6 7BU U.K.
TEL(01628)631000 FAX(01628)636311